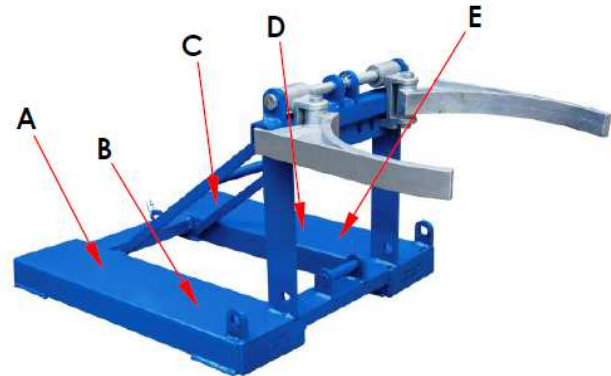
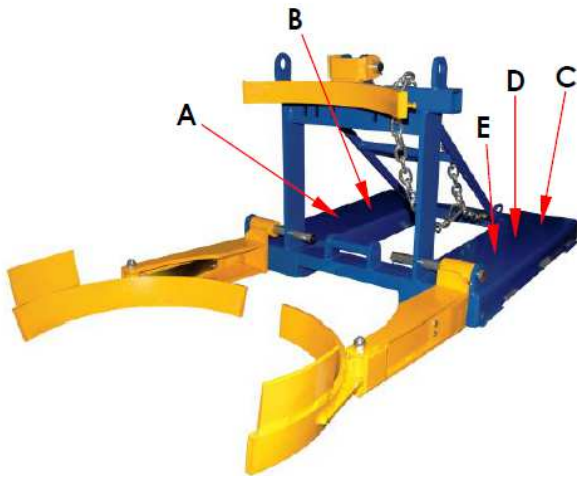


FPDL



A: Label 485

⚠ CAUTION

Side of drum must maintain contact with drum cradle whenever drum is elevated. Secure drum to cradle with ratchet strap when necessary -- while traveling over rough terrain, for example.

485
rev 0118

B: Label 218

⚠ WARNING

Improper use might result in death or serious personal injury. Attach device to fork carriage with safety chain/strap.

- Drive lift truck forward until forks contact ends of fork pockets
- Chain/straps must not be able to disconnect (slide free) from carriage.
- Safety chain/strap must be taut. Connect chain/strap to carriage via shortest line.

⚠ ADVERTENCIAS

El uso inapropiado puede resultar en muerte o heridas personales. Atar aparato al mástil del montacargas con cadenas/correas.

- Maneje el montacargas para adelante hasta que las cuñas hagan contacto con la orilla del bolsillo de las cuñas.
- La cadenas y correas no deben de deslizarse (soltarse) del mástil del montacargas.
- La cadena/correa de seguridad debe de estar apretado. Asegure la cadena/correa al mástil via la ruta mas corta.

218
rev 0018

C: Label 1153 with 770 overlay

MODEL / MODÉLO / MODÈLE _____

WEIGHT / PESO / MASS _____

CAPACITY / CAPACIDAD / CAPACITÉ _____

SERIAL / SERIE / SÉRIE _____

UNITS: 2.2 lb. = 1kg 1" (or 1in.) = 2.54cm

1153

D: Label 1049

⚠ WARNING

Improper use of this fork attachment might result in death or serious injury. 1049
rev 1220

- Using this front end attachment affects lift truck center of gravity.
- Before using this fork attachment, US Federal regulation 29 CFR 1910.178 requires you to contact the manufacturer of your lift truck and request:
 1. Written approval [29 CFR 1910.178(a)(4)]
 2. Markings for (fork) lift truck that:
 - Identify the attachment;
 - Give approximate weight of truck and attachment at maximum elevation with laterally-centered load. [29 CFR 1910.178(a)(5)].
- **DO NOT** use **UNTIL** lift truck is marked with corrected capacity tags.
- **CAPACITY OF TRUCK & ATTACHMENT COMBINATION MIGHT BE LESS THAN CAPACITY OF ATTACHMENT. CONSULT TRUCK CAPACITY TAG/LABEL.**

E: Label 1210

⚠ WARNING

Using this front end attachment exposes occupants and bystanders to risk of serious personal injuries or death. 1210

- **DO NOT** use this front end attachment with rough terrain lift trucks or telehandlers (boom lifts). **ONLY** use this attachment with high lift fork trucks utilizing a vertical mast and carriage.
- **DO NOT** operate truck with attachment on unimproved surfaces. **ONLY** operate the truck with the attachment on concrete or asphalt surfaces capable of supporting the truck and a full capacity load.

Label 1072 is to be applied to the outside of individual packaging

⚠ WARNING:
Reproductive Harm -
www.P65Warnings.ca.gov.

⚠ ADVERTENCIA:
Daño Reproductivo -
www.P65Warnings.ca.gov.

1072

⚠ WARNING: Cancer -
www.P65Warnings.ca.gov.

⚠ ADVERTENCIA: Cáncer -
www.P65Warnings.ca.gov.

FORK MOUNTED DRUM HANDLER

09/26/2023